

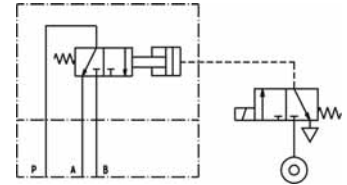
Multi tool valves

Multi tool valves divides the flow produced by a pump between two or more water tools either simultaneously or individually.



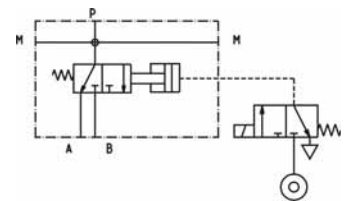
Electro pneumatic multi tool valve
3/2 Way valve in "Inline" design.

Op. pressure: max 1500 bar
Flow rate: max. 100 l/min



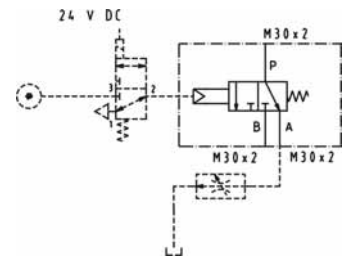
Electro pneumatic multi tool valve
3/2 Way valve in "Pipeline" design.

Op. pressure: max 1500 bar
Flow rate: max. 300 l/min



Electro pneumatic multi tool valve
3/2 Way valve

Op. pressure: max 3000 bar
Flow rate: max. 50 l/min



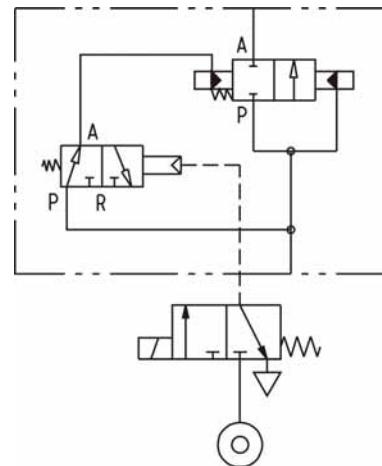
Electro pneumatic multi tool valve
3/2 Way valve

Assembled on a plastic pallet complete with terminal box, emergency stop button and control connections.
All components in contact with the medium are rust proof.

Op. pressure: max 3000 bar
Flow rate: max. 5 x 20 l/min
Number of valves: max. 5

Solenoid actuated valves

Solenoid actuated valves enable various pressure lines to tools (for instance in parts washing or de-burring machines) to be opened or closed. They are available in "Inline" and "Pipeline" designs and all medium bearing components are rust proof



Solenoid actuated valve

As 2/2 Way valve

Op. pressure: max 800 bar
Flow rate: 300 l/min



Non return valve

The non return valve stops water emitting from the tool when there is less than 10 bar in the system.



RV 1

Op. pressure: max 1800 bar
Opening pressure: 11 bar
Closing pressure: 10 bar