

AQUABLAST[®] surface cleaner

Type FR 1000

- Spray bar driven by reaction force of the water jets
- Wear resistant rotary action with labyrinth seal
- Optional pressure on/off control. Mechanical bypass valve or electric 4-pole system signal to pump. Spec controls available upon request.
- On/Off control by twin trigger action
- Height adjustable spray bar
- Three wheel carriage



Typical applications

- Grid cleaning
- Floor cleaning
- Coating removal

Technical data

Working width: 500 mm
Operating pressure: max. 1000 bar
Flow rate: max. 160 l/min.
Pressure loss at 100 l/min.: 5 bar
Pump power: max. 170 kW
Speed of rotation: 1500 r.p.m.

Weight: 122 kg
Length: approx. 1825 mm
Height: approx. 900 mm
Unit width: approx. 550 mm

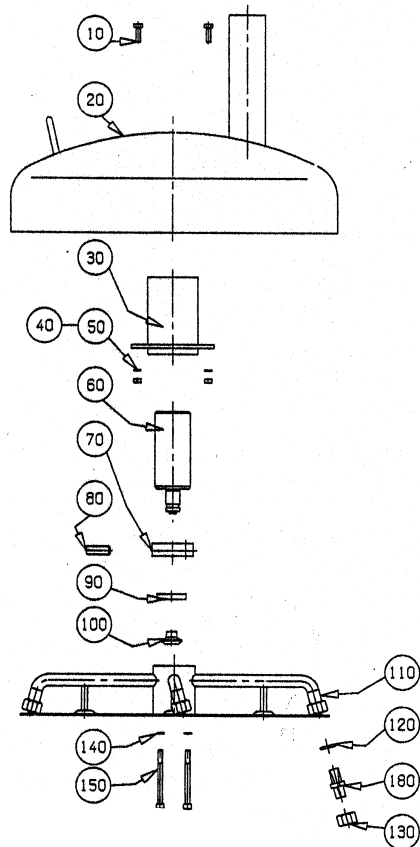
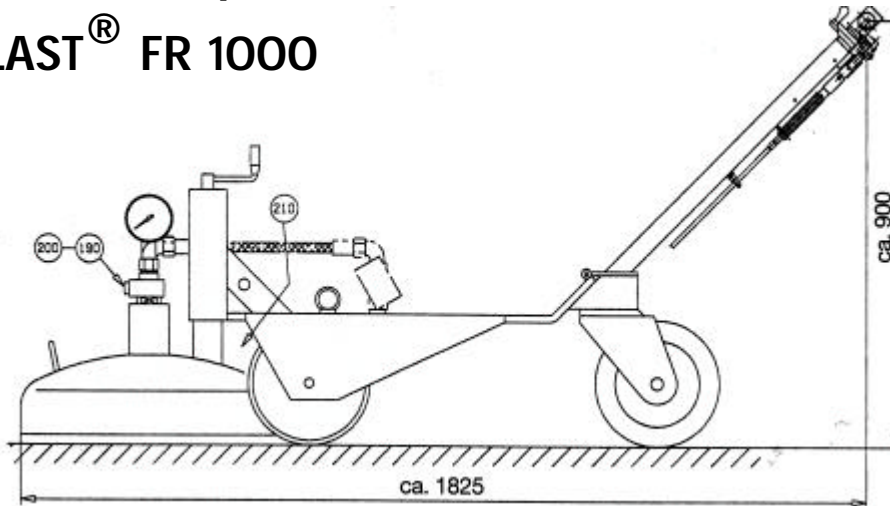
Conversion set	Code no.
to change from 4-pole system to 1-wire-system	00.06700.0642

Pressure on/off	Code no.
mechanical	09.00661.0180
electrical	09.00661.0179



Connection nipple see reverse!
Nozzle inserts "A" and "B"

Accessories and Spares, AQUABLAST® FR 1000



Item no.	Qty.	Description	Code no. per single item
10	4	Screw	02.00671.0105
20	1	Spray bar housing	00.00387.0002
30	1	Sleeve	00.01750.0419
40	4	Spring washer	02.00380.0005
50	4	Nut	02.00309.0005
60	1	Rotary joint	00.00062.0105
70	1	Ring	01.03465.0544
80	1	Set screw	02.00888.0308
90	1	Split ring	01.03465.0619
100	1	Seal lens	01.00727.0058
110	1	Spray bar complete: items 70 – 170	00.03567.1230
120	4	O-ring	04.00730.0033
130	4	Retaining nut	04.02833.0064
140	4	Spring washer	02.00384.0006
150	4	Screw	02.00825.0009
180	4	Nozzle insert design "A"	see chapter 12
190	1	Glyd ring	04.00731.0222
200	1	Connection nipple	Operating pressure
		M 22 x 1,5 DKO NW 8 1500 bar	01.02981.0335
		M 22 x 1,5 DKM NW 10 1350 bar	.0077
		M 24 x 1,5 DKO NW 12 1800 bar	.0197
		M 30 x 2 DKO NW 12 1000 bar	.0473
		M 30 x 1,5 DKM NW 20 1050 bar	.0154
		M 36 x 2 DKO NW 20 1400 bar	.0331
		M 42 x 2 DKO NW 25 950 bar	.0355
210	1	Stability weight	01.01390.0010
	2	Screw	02.00671.0121
	2	Spring washer	02.00380.0007

HAMMELMANN