

2/2 way, ultra high pressure block ball valve

Advantages:

- Switching shaft seal by lip seal for long life with rapid switching cycles
- The shaft seals can be accessed when the valve is in situ
- Switching shaft with bearing bushes and run on washer for maximum operational safety
- Unthreaded connection flange with reliable gasket ring sealing
- Threaded shaft bore for attaching actuators or hose arresting device

Material: Rust and acid resistant stainless steel

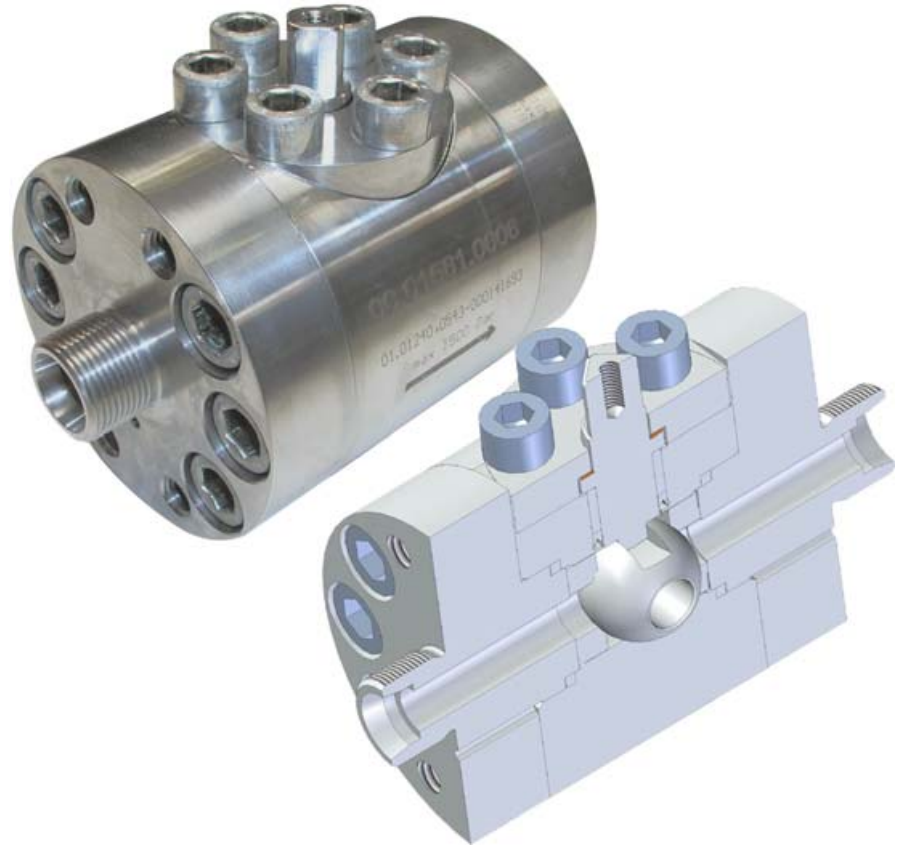
Nominal pressure: max. 1500 bar

Nominal i/d: 12 mm

Connections M24 x 1,5

DIN 2335 RA 16 S

Switching possible pressurised to: 500 bar



Manually operated version with lever



Version with pneumatic actuator

05/06 © Copyright Hammelmann Maschinenfabrik GmbH, Oelde, Germany. Subject to modification.

Hammelmann
Maschinenfabrik GmbH

Postfach 3309 • D-59282 Oelde
Zum Sundern 13-21 • Germany
eMail: mail@hammelmann.de

Telefon (0 25 22) 76-0
Telefax (0 25 22) 76-444
Internet: www.hammelmann.de

HAMMELMANN[®]